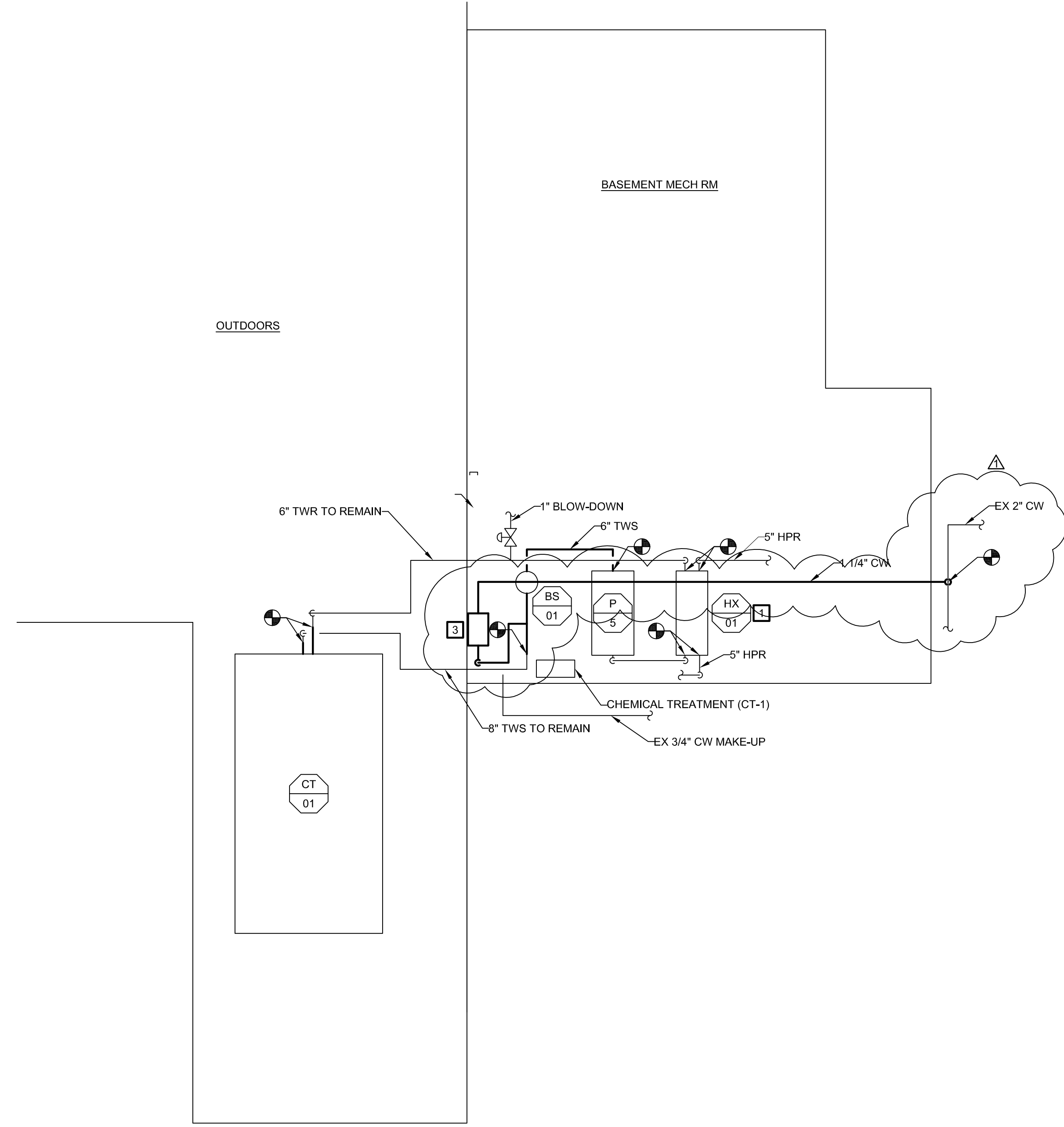
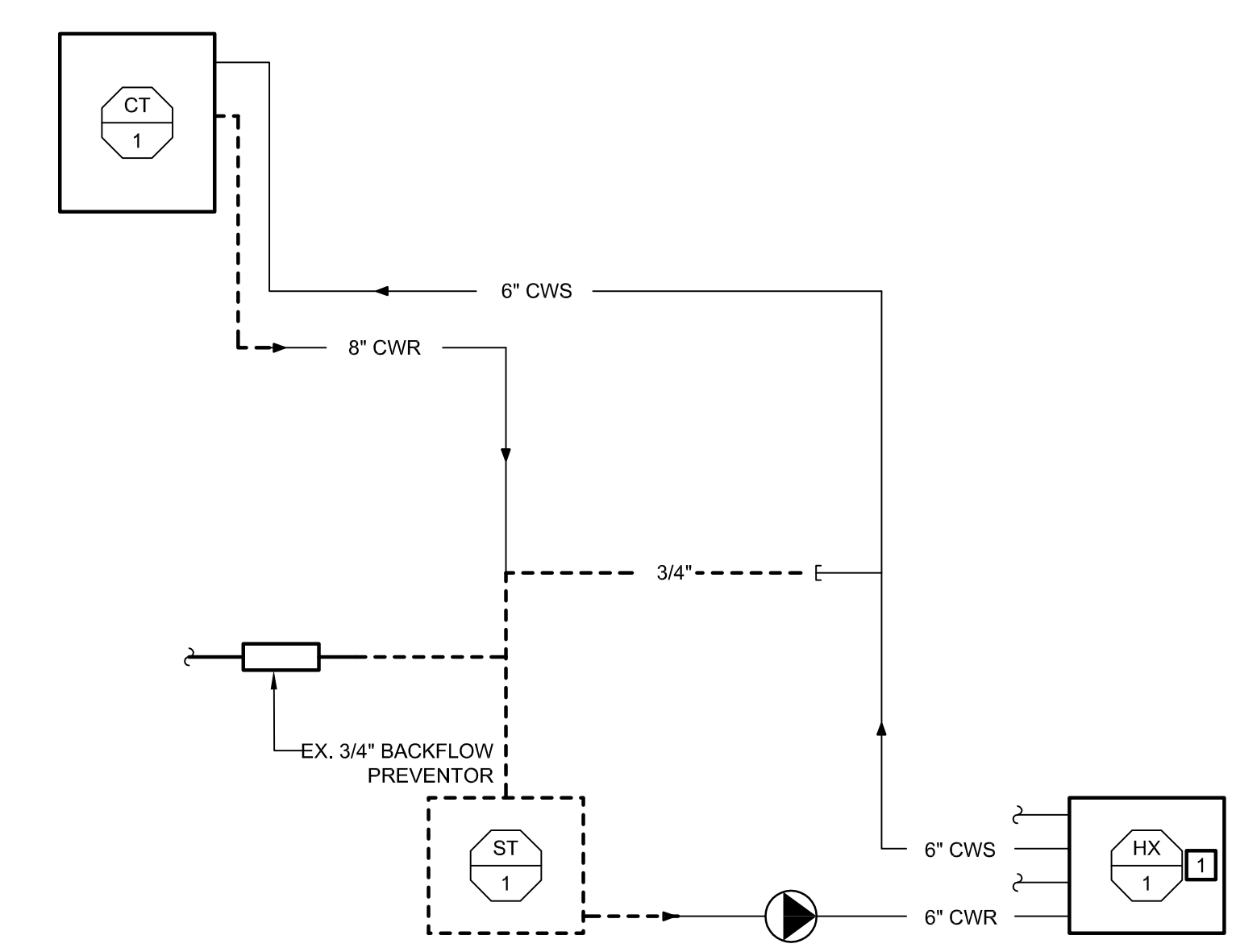


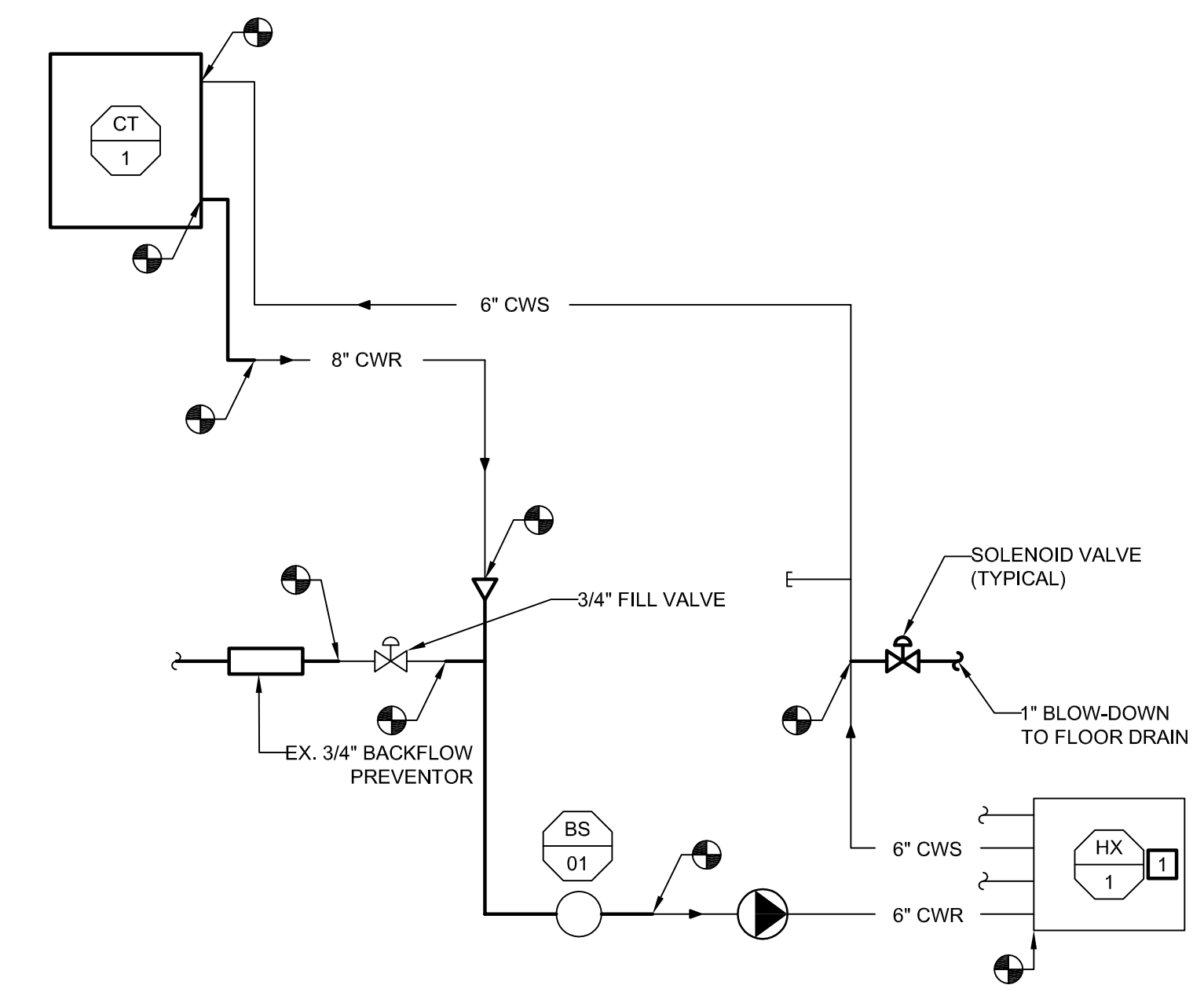
**1 MECHANICAL ROOM PLAN DEMO**  
 1/4" = 1'-0" MECHANICAL



**2 MECHANICAL ROOM PLAN NEW WORK**  
 1/4" = 1'-0" MECHANICAL

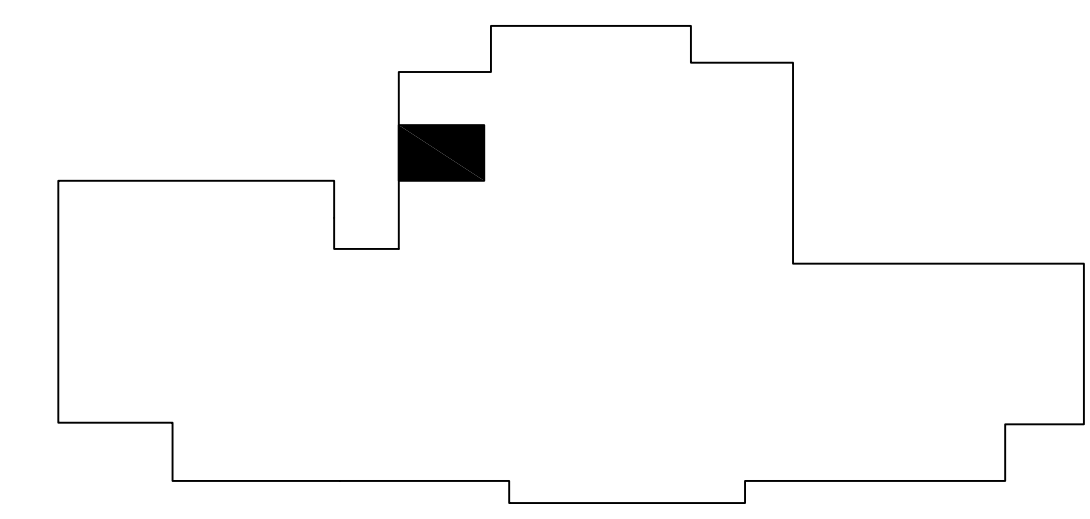


**3 MECHANICAL PIPING DIAGRAM DEMO**  
 NTS MECHANICAL



**4 MECHANICAL PIPING DIAGRAM NEW WORK**  
 NTS MECHANICAL

- KEYED NOTES**
1. ADD ALTERNATE NO. 1 REPLACE HEAT EXCHANGER.
  2. REMOVE EX. BACKFLOW PREVENTOR AND CHEMICAL TREATMENT EQUIPMENT.
  3. 1 1/4" PIP. BACKFLOW PREVENTOR SIMILAR TO WATTS MODEL "LF5000".
  4. INSULATE CW PIPING UNIT 3/4" THICK FLEXIBLE ELASTOMERIC INSULATION.



PROJECT STATUS: ISSUED FOR BID